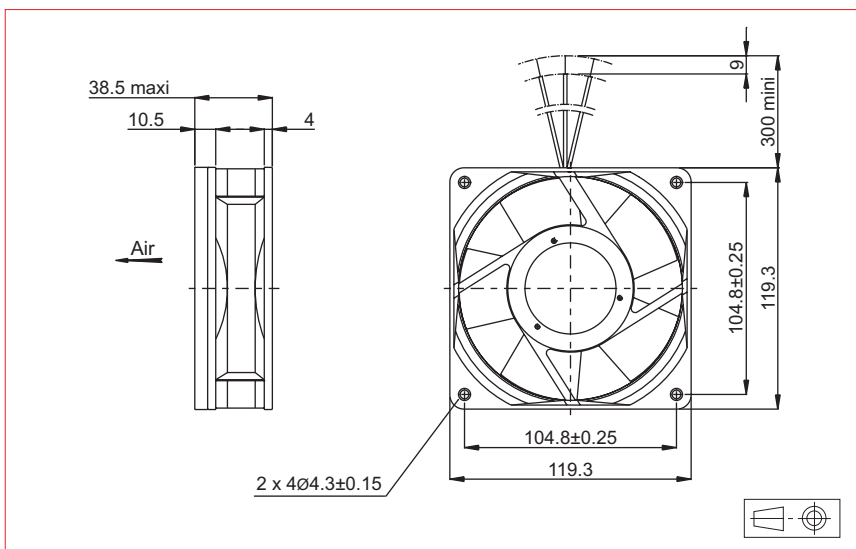


DC Axial Fans



Approvals



Life expectancy

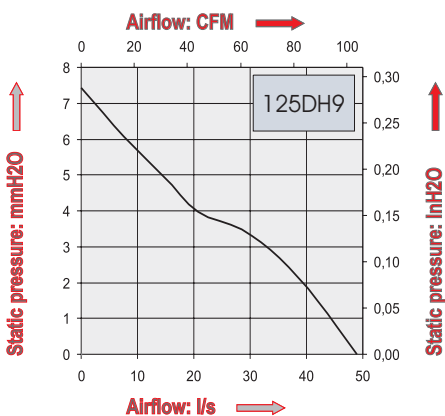
L-10 LIFE AT 40°C:
80 000 hours

Brushless DC Motor

Electrical protection: integrated circuit
Housing material: plastic UL 94 V0 / aluminium
Impeller material: plastic UL 94 V0
Maximum weight: 280 g
Bearing system: ball bearings
Connection: flying leads
IP 20

Available with:

- Speed sensor
- Alarm
- IP 54
- Non RoHS on request
- Connection: terminals



Part Number	Nominal voltage	Airflow	Noise level	Nominal speed	Input Power	Voltage range	Operating temperature	
	V	l/s	dB(A)	RPM	W	V	Min.°C	Max.°C
125DH9LP11241	110	49	42,5	3050	7,15	(82-146)	-25	70

Additional versions:
Other voltages - other speeds

